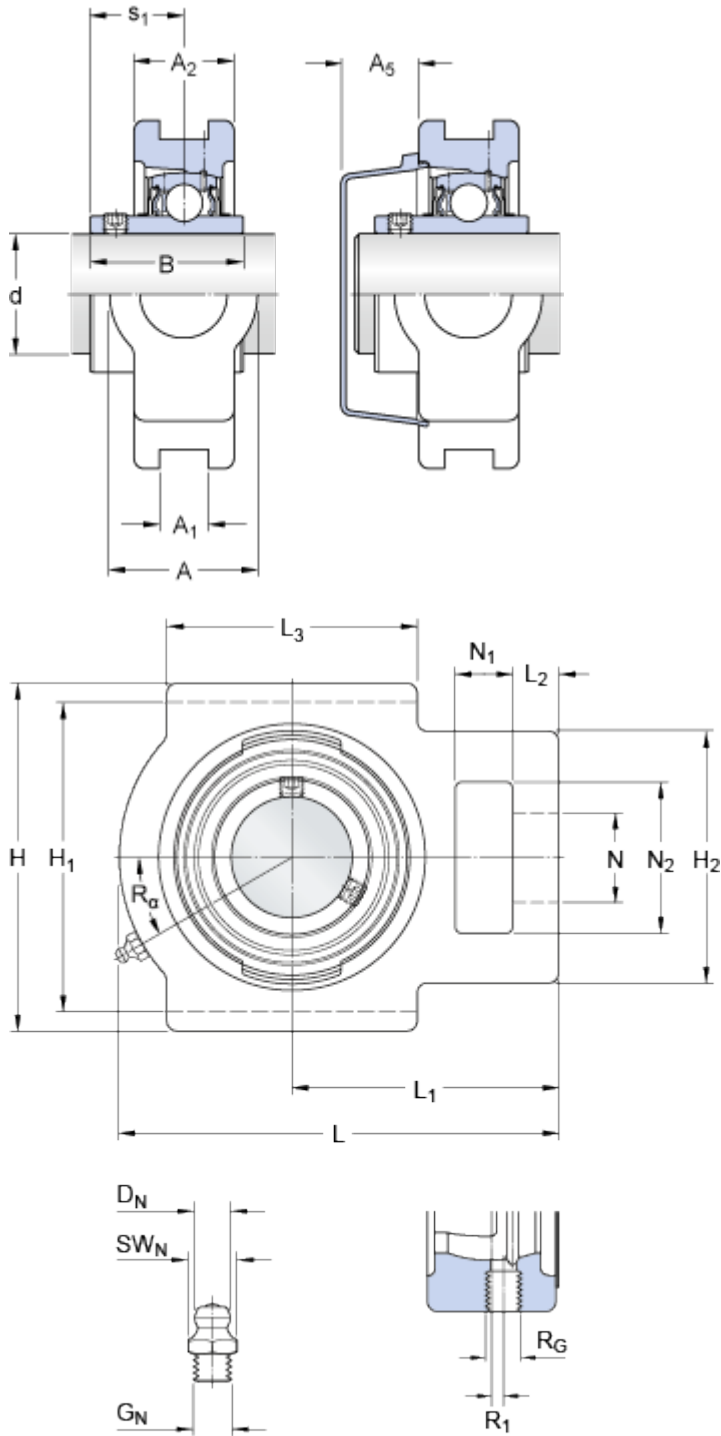


TU 20 TF

Housing material

Cast iron

Dimensions



d	20	mm
A	34	mm
A ₁	13.5	mm
A ₂	25	mm
A ₅	18.5	mm
B	31	mm
H	92	mm
H ₁	76	mm
H ₂	54	mm
L	97	mm
L ₁	62	mm
L ₂	10	mm
L ₃	54	mm
N	19	mm
N ₁	16	mm
N ₂	32	mm
s ₁	18.3	mm

Grease fitting

D _N	6.5	mm
SW _N	7	mm
G _N	1/4-28 SAE-LT	

Threaded hole

R _G	1/4-28 UNF	
R ₁	2.5	mm

Calculation data

Basic dynamic load rating	C	12.7	kN
Basic static load rating	C ₀	6.6	kN
Fatigue load limit	P _u	0.28	kN
Limiting speed with shaft tolerance h6		8500	r/min

Mass

Mass bearing unit		0.88	kg
-------------------	--	------	----

Mounting information

Grub (set) screw	G ₂	M6x0.75	
Hexagonal key size for grub screw	N	3	mm
Recommended tightening torque for grub screw		4	N·m

Appertaining products

Housing	TU 504 M
Bearing	YAR 204-2F

Appropriate products

End cover	ECY 204
-----------	---------